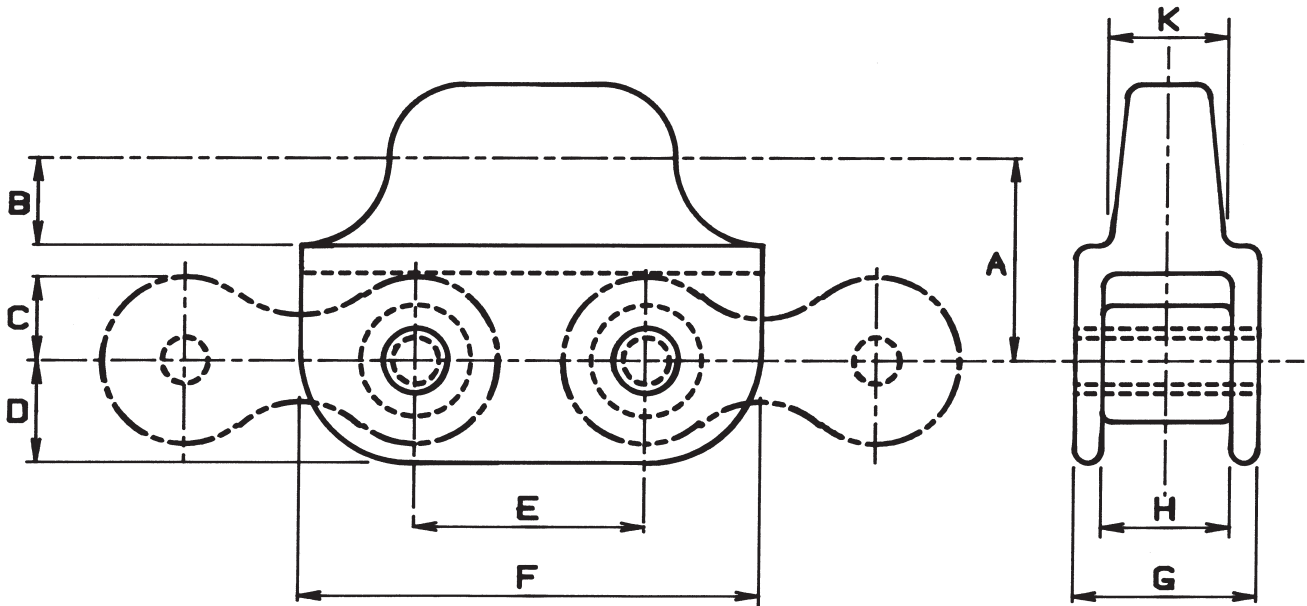




CATERPILLAR DRIVE CHAINS

Caterpillar drive chains can be supplied in customer's specified lengths with dogs fitted to cotteder transmission chain. The standard number of pitches and number of dogs is shown below.



Size	Luxford P/N	Standard No.of Dogs
348	348-1350	20
458	458-1350	15
678	678-1350	10

A'nom	Dimensions in mm		
	348	458	678
B	16	19	28.6
C	15	18.3	18.3
D	18	23.8	23.8
E	38.1	50.8	50.8
F	74.1	98.4	98.4
G	75	98.5	98.5
H	25.4	31.8	31.8
K	18.5	25.4	27.8