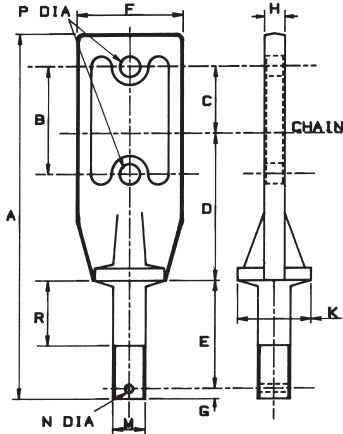




ADDRESS Factory 2 /18 McDougall Road  
Sunbury VIC 3429 Australia

PH +61 (03) 9740 9143  
FAX +61 (03) 9744 3962  
EMAIL sales@luxfordconveyor.com

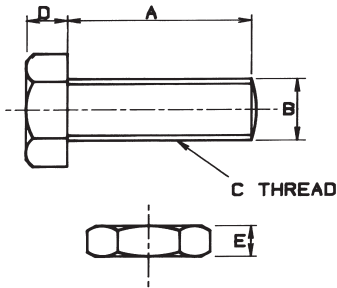
## “B” ATTACHMENT



Size	Luxford P/N
348	348-1230
458	458-1230
678	678-1230

	Dimensions in mm		
	348	458	678
<b>A</b>	146	178	222
<b>B</b>	48	54	70
<b>C</b>	26	33.5	41.5
<b>D</b>	62	51	79
<b>E</b>	40	52	67
<b>F</b>	38.1	50	76
<b>G</b>	6	6	9.5
<b>H</b>	6.4	9.5	12.7
<b>K</b>	32	35	51
<b>L</b>	M12	M16	M22
<b>M</b>	12	16	22
<b>N</b>	4	4	5.5
<b>P</b>	9	10.5	13.5
<b>R</b>	15	32	41.2
<b>Wt(kg)</b>	0.22	0.45	1.27

## FIXING BOLT & LOCKNUT

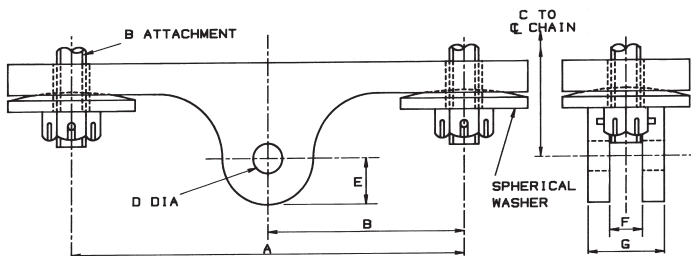


Size	Luxford P/N
348	348-3390
458	458-3390
466	466-3390
678	678-3390

	Dimensions in mm			
	348	458	458/678	678
<b>A</b>	20	25	30	40
<b>B</b>	8	10	10	12
<b>C</b>	M8	M10	M10	M12
<b>D</b>	5.5	6.0	6.0	8.0
<b>E</b>	5.5	6.0	6.0	8.0

## LOAD BAR

Used in conjunction with B attachment, spherical washer and spacer together with castle nut and split pin.



Size	Luxford P/N
458	458-1240
678	678-1240

	Dimensions in mm	
	458	678
<b>A</b>	204.8	306.4
<b>B</b>	102.4	153.2
<b>C</b>	123.8	142.9
<b>D</b>	17.5	20.6
<b>E</b>	25.4	113
<b>F</b>	17.5	-
<b>G</b>	42.9	60