



ADDRESS Factory 2 /18 McDougall Road
Sunbury VIC 3429 Australia
PH +61 (03) 9740 9143
FAX +61 (03) 9744 3962
EMAIL sales@luxfordconveyor.com

X-348 Trolleys 63.5mm Drop

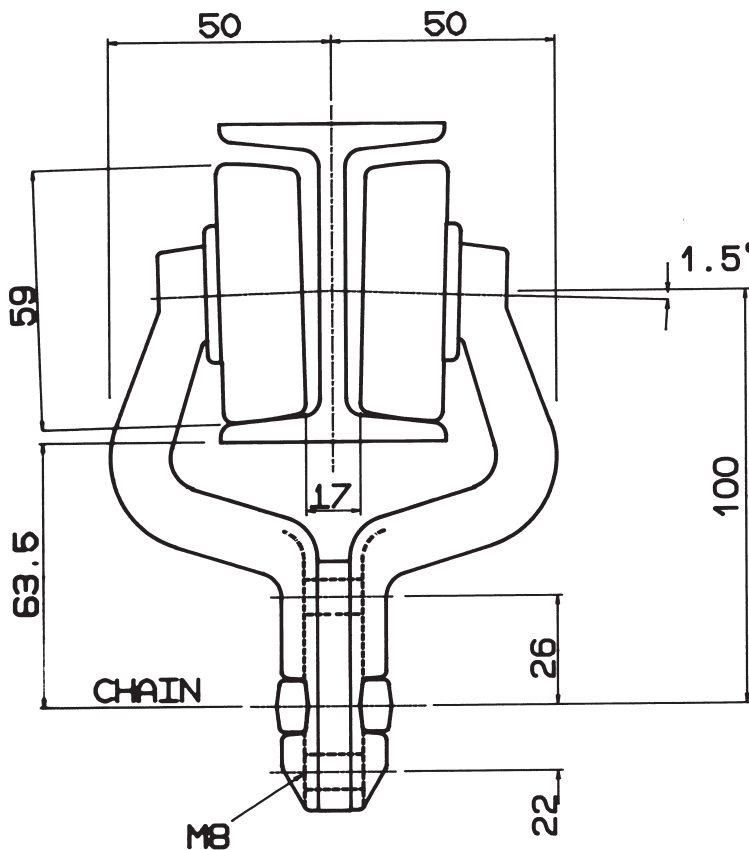
Standard trolley wheel includes full ball compliment bearing and triple labyrinth seals.

Standard trolleys are supplied ungreased with loose welsh plug.

Trolleys are available greased with assembled welsh plug with both normal and high temperature grease.

Weight of pair of trolleys is 1.30 kg.

Maximum load for a pair of trolleys is 100 kg.



Luxford Part Number	Description
348-3300	X-348 Half Trolley, with full ball compliment bearing, triple labyrinth seal, ungreased and loose welsh plug.
348-3310	X-348 Half Trolley, with full ball compliment bearing, triple labyrinth seal, standard grease and assembled welsh plug.
348-3320	X-348 Half Trolley, with full ball compliment bearing, triple labyrinth seal, high temperature grease and assembled welsh plug.