



ADDRESS Factory 2 /18 McDougall Road  
Sunbury VIC 3429 Australia  
PH +61 (03) 9740 9143  
FAX +61 (03) 9744 3962  
EMAIL sales@luxfordconveyor.com

## X-458 Trolleys 81mm Drop

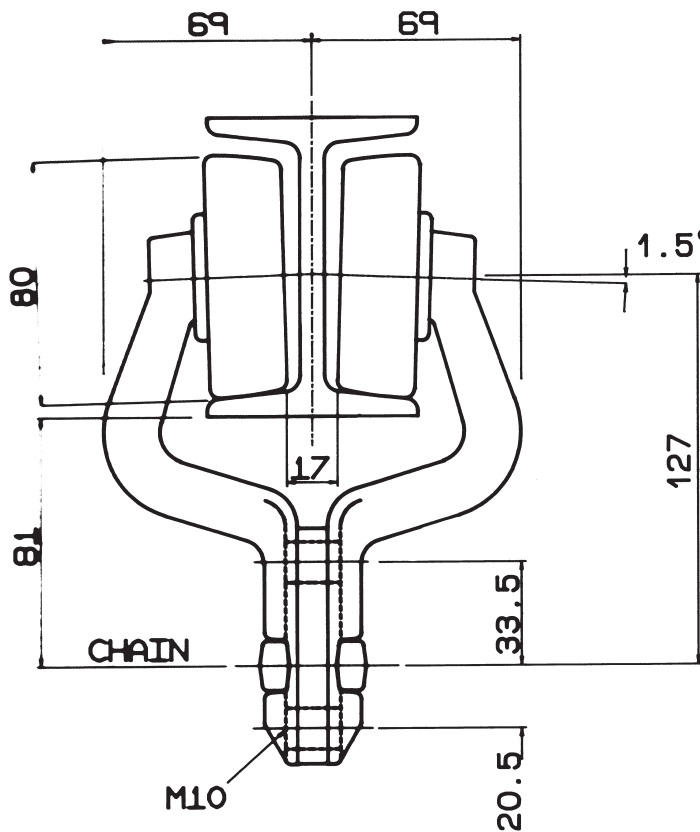
Standard trolley wheel includes full ball compliment bearing and triple labyrinth seals.

Standard trolleys are supplied ungreased with loose welsh plug.

Trolleys are available greased with assembled welsh plug with both normal and high temperature grease.

Weight of pair of trolleys is 2.50 kg.

Maximum load for a pair of trolleys is 200 kg.



Luxford Part Number	Description
458-3300	X-458 Half Trolley, with full ball compliment bearing, triple labyrinth seal, ungreased and loose welsh plug.
458-3310	X-458 Half Trolley, with full ball compliment bearing, triple labyrinth seal, standard grease and assembled welsh plug.
458-3320	X-458 Half Trolley, with full ball compliment bearing, triple labyrinth seal, high temperature grease and assembled welsh plug.