



ADDRESS Factory 2 /18 McDougall Road
Sunbury VIC 3429 Australia

PH +61 (03) 9740 9143
FAX +61 (03) 9744 3962
EMAIL sales@luxfordconveyor.com

X-466 Trolleys (4" over 6") 87.3mm Drop

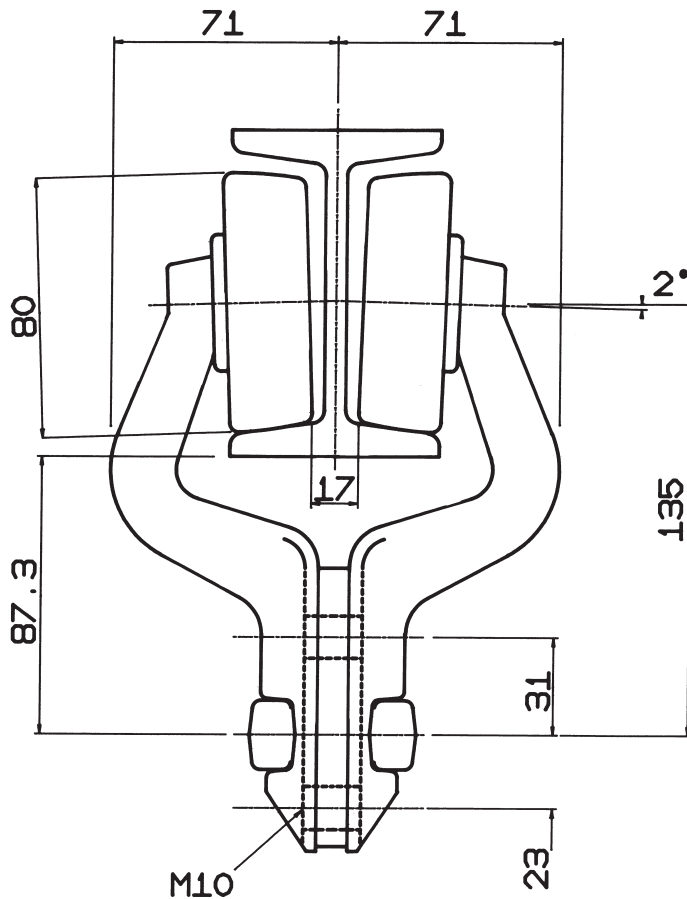
Standard trolley wheel includes full ball compliment bearing and triple labyrinth seals.

Standard trolleys are supplied ungreased with loose welsh plug.

Trolleys are available greased with assembled welsh plug.

Weight of pair of trolleys is 3.20 kg.

Maximum load for a pair of trolleys is 200 kg.



Luxford Part Number	Description
466-3300	X-466 Half Trolley, with full ball compliment bearing, triple labyrinth seal, ungreased and loose welsh plug.
466-3310	X-466 Half Trolley, with full ball compliment bearing, triple labyrinth seal, standard grease and assembled welsh plug.